

PLEASE CHECK WWW.MOLEX.COM FOR LATEST PART INFORMATION

Part Number: [0474038002](#)
Status: **Active**
Overview: [esatausb_combo_receptacles](#)
Description: Combo External Serial ATA and USB Receptacles, Reverse Type, Through Hole, Right Angle, with Through Hole type Solder Tabs and Beveled Metal Pins, Lead free

Documents:

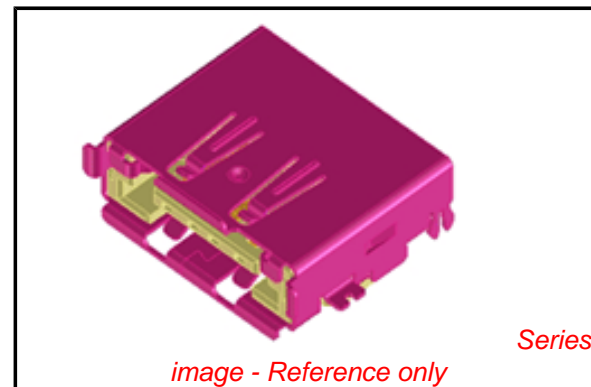
[3D Model](#) [Product Specification PS-47403-001 \(PDF\)](#)
[Drawing \(PDF\)](#) [RoHS Certificate of Compliance \(PDF\)](#)

General

Product Family	I/O Connectors
Series	47403
Application	Wire-to-Board
Comments	Through hole type front solder tabs . Reverse mounted on recessed PCB . Durability: 1,500 cycles for USB; 2,500 cycles for eSATA
Component Type	Receptacle
Overview	esatausb_combo_receptacles
Product Name	eSATA/USB Combo, External Serial ATA, USB
Type	N/A

Physical

Circuits (Loaded)	4, 7
Circuits Detail	eSATA: 7 circuits; USB: 4 circuits
Color - Resin	Black
Durability (mating cycles max)	1,500
Gender	Male
Keying to Mating Part	Yes
Lock to Mating Part	Yes
Material - Metal	Copper Alloy
Material - Plating Mating	Gold
Material - Plating Termination	Tin
Material - Resin	High Temperature Thermoplastic
Number of Rows	2
Orientation	Right Angle
PCB Locator	No
PCB Retention	Yes
PCB Thickness Recommended (in)	0.047 In
PCB Thickness Recommended (mm)	1.20 mm
Packaging Type	Embossed Tape on Reel
Panel Mount	Yes
Pitch - Mating Interface (in)	0.050 In, 0.079 In, 0.098 In
Pitch - Mating Interface (mm)	1.27 mm, 2.00 mm, 2.50 mm
Pitch - Term. Interface (in)	0.050 In, 0.079 In, 0.098 In
Pitch - Term. Interface (mm)	1.27 mm, 2.00 mm, 2.50 mm
Plating min: Mating (µin)	30
Plating min: Mating (µm)	0.76
Plating min: Termination (µin)	80
Plating min: Termination (µm)	2
Polarized to Mating Part	Yes
Polarized to PCB	Yes
Ports	1
Temperature Range - Operating	-35°C to +85°C
Termination Interface: Style	Through Hole



EU RoHS

ELV and RoHS Compliant
REACH SVHC Not Reviewed
Halogen-Free Status Not Reviewed

China RoHS



Need more information on product environmental compliance?

Email productcompliance@molex.com
 For a multiple part number RoHS Certificate of Compliance, [click here](#)

Please visit the [Contact Us](#) section for any non-product compliance questions.

Search Parts in this Series

[47403Series](#)

Mates With

External Serial ATA Cable Assembly or USB Type A Cable Assembly

Electrical

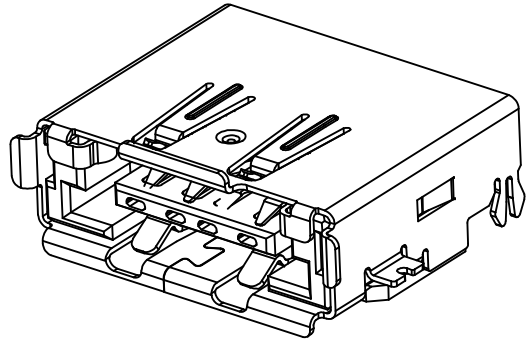
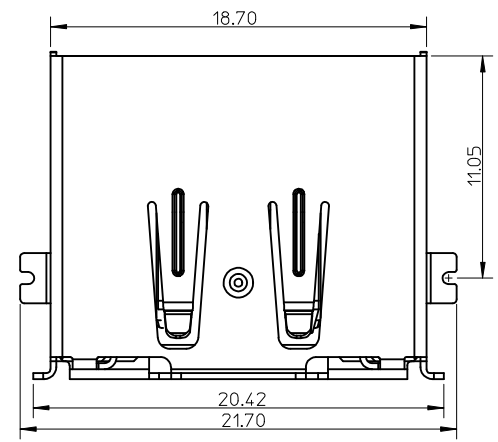
Current - Maximum per Contact	1.5A
Grounding to Panel	Yes
Shield Type	Full Shield
Shielded	Yes
Voltage - Maximum	15V DC

Material Info**Reference - Drawing Numbers**

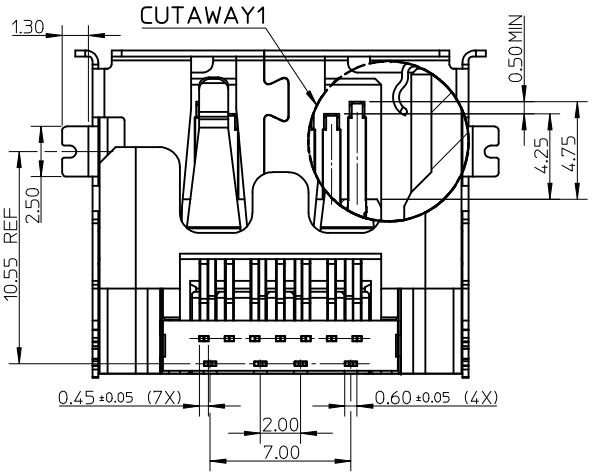
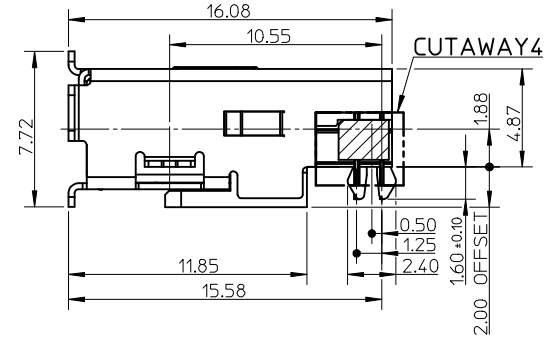
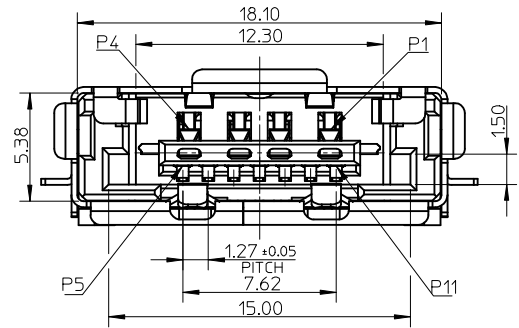
Packaging Specification	PK-47403-008
Product Specification	PS-47403-001
Sales Drawing	SD-47403-800

This document was generated on 05/19/2010

PLEASE CHECK WWW.MOLEX.COM FOR LATEST PART INFORMATION

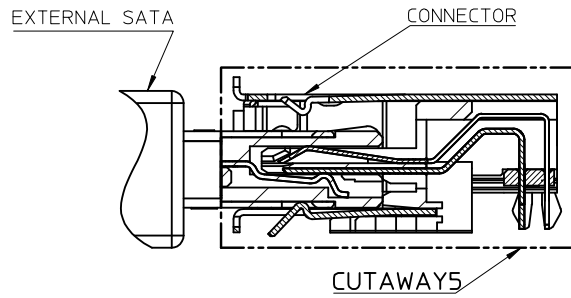


NOTES:
 1. MATERIAL:
 HOUSING: HIGH TEMPERATURE THERMOPLASTIC, 30% GLASS FILLED, BLACK, UL94V-0.
 TERMINAL-1: COPPER ALLOY.
 TERMINAL-2: COPPER ALLOY.
 METAL SHELL: COPPER ALLOY.
 2. TERMINAL PLATING:
 CONTACT AREA: GOLD PLATING.
 SOLDER AREA: TIN PLATING, 2.0 MICROMETERS MINIMUM.
 UNDER PLATING: NICKEL PLATING, 2.0 MICROMETERS MINIMUM.
 3. METAL SHELL PLATING: SOLDERABLE NICKEL PLATING.
 4. PRODUCT SPECIFICATION: PS-47403-001.
 5. PACKAGE SPECIFICATION: PK-47403-008.
 6. PRODUCT COMPLIANT TO RoSH DIRECTIVE 2002/95/EC AND ELV DIRECTIVE 2000/53/EC.

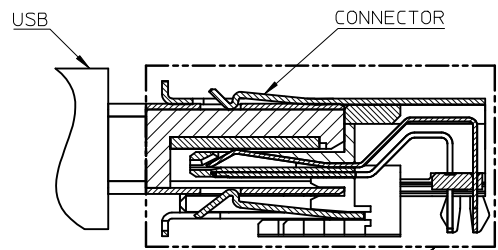


P/N	GOLD PLATING SPEC
47403-8000	GOLD FLASH
47403-8001	15u" MINIMUM
47403-8002	30u" MINIMUM

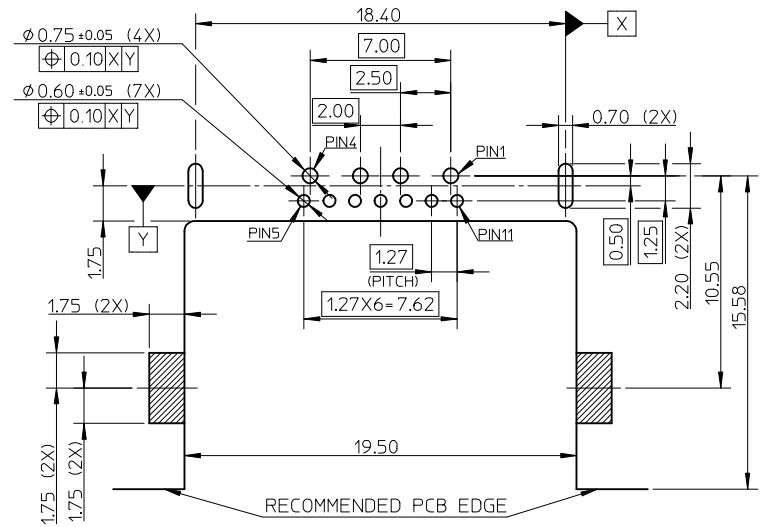
NEW RELEASE EC NO: SH2009-0550 DRWN: XZZHANG 2009/02/18 CHKD: XJ SONG 2009/02/18 APPR: HWANG 2009/03/25	QUALITY SYMBOLS ▽=0 ◻=0	GENERAL TOLERANCES (UNLESS SPECIFIED) mm INCH 4 PLACES ± --- ± --- 3 PLACES ± --- ± --- 2 PLACES ± 0.25 ± --- 1 PLACE ± 0.25 ± --- ANGULAR ± 3°	DIMENSION STYLE MM ONLY DRAWN BY: HZHA006 DATE: 2007/12/18 CHECKED BY: JTIAN DATE: 2007/12/18 APPROVED BY: HWANG DATE: 2007/12/18 MATERIAL NO.	SCALE: 1:1 DESIGN UNITS: METRIC THIRD ANGLE PROJECTION	TITLE: SALES DRAWING FOR COMBO OF EXTERNAL SATA AND USB REVERSE TYPE MOLEX INCORPORATED DOCUMENT NO. SD-47403-800 SHEET NO. 1 OF 2	
	DRAFT WHERE APPLICABLE MUST REMAIN WITHIN DIMENSIONS	SEE CHART	THIS DRAWING CONTAINS INFORMATION THAT IS PROPRIETARY TO MOLEX INCORPORATED AND SHOULD NOT BE USED WITHOUT WRITTEN PERMISSION			
	REV: A	SIZE: A3				



MATING WITH EXTERNAL SATA



MATING WITH USB



RECOMMENDED PCB LAYOUT T=1.2MM
CONNECTOR SIDE; TOLERANCE: +/-0.05

PIN ASSIGNMENT

USB		I/O SATA	
NAME	TYPE	NAME	TYPE
P1	VBUS	P5	GND
P2	D-	P6	A+
P3	D+	P7	A-
P4	GND	P8	GND
		P9	B-
		P10	B+
		P11	GND

NEW RELEASE
 EC NO: SH2009-0550
 DRWN: QZHUANG 2009/02/18
 CHKD: XJISONG 2009/07/18
 APPR: HWANG 2009/03/25

DESCRIPTION
 REV
 QUALITY SYMBOLS
 ▽=0
 ▽=0

GENERAL TOLERANCES (UNLESS SPECIFIED)

	mm	INCH
4 PLACES	± ---	± ---
3 PLACES	± ---	± ---
2 PLACES	± 0.25	± ---
1 PLACE	± 0.25	± ---

ANGULAR ± 3 °

DRAFT WHERE APPLICABLE
 MUST REMAIN
 WITHIN DIMENSIONS

DIMENSION STYLE
MM ONLY

DRAWN BY: HZHA006
 DATE: 2007/12/18

CHECKED BY: JTIAN
 DATE: 2007/12/18

APPROVED BY: HWANG
 DATE: 2007/12/18

MATERIAL NO.
SEE SHEET 1

SIZE
A3

SCALE
1:1

DESIGN UNITS
METRIC

THIRD ANGLE PROJECTION

TITLE
SALES DRAWING FOR COMBO OF EXTERNAL SATA AND USB REVERSE TYPE

molex MOLEX INCORPORATED

DOCUMENT NO.
SD-47403-800

SHEET NO.
2 OF 2

THIS DRAWING CONTAINS INFORMATION THAT IS PROPRIETARY TO MOLEX INCORPORATED AND SHOULD NOT BE USED WITHOUT WRITTEN PERMISSION